



**Rediscover your life**

[www.gennymobility.com](http://www.gennymobility.com)



Regular  
Production  
Surveillance  
Safety

[www.tuv.com](http://www.tuv.com)  
ID 000045404



**Rediscover your life**







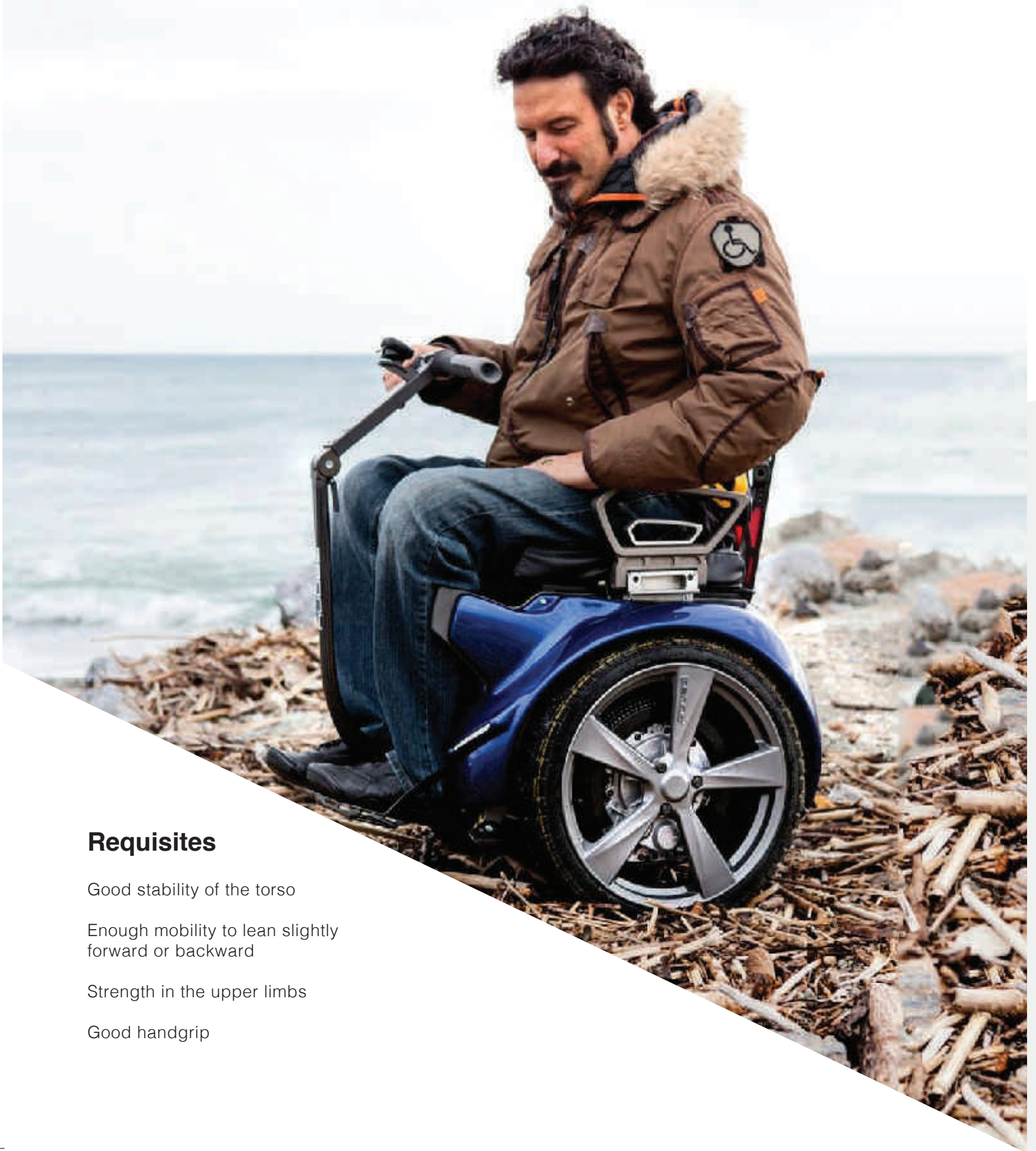
## WHO IS GENNY 2.0 ?

**Genny 2.0** is an high-tech device that allows a large number of people with disabilities to **move safely in spaces that were formerly inaccessible to them.**

Using a self-balancing Segway® base, modified and adapted specifically to the needs of the case, it ensures agile turns on the spot and movement without the need of traditional levers such as accelerators or brakes. You lean forward, you move forward.



## A newfound Freedom



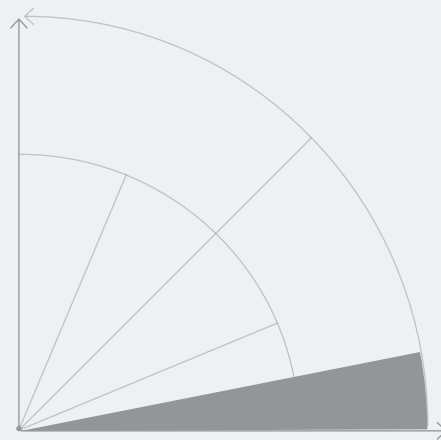
### Requisites

- Good stability of the torso
- Enough mobility to lean slightly forward or backward
- Strength in the upper limbs
- Good handgrip



## Self-balancing Segway® system

The two parallel wheels, numerous electronic sensors (including **5 gyroscopic** sensors) allow Genny Self-Balancing Products to move only by leaning part of your body forward to advance and backward to slow down or brake. Leaning a simple handlebar ensures the easy rotation of the device.



18%  
Maximum  
incline and  
slope

3hp  
Power



# Disability

## has changed

### Nothing similar has ever existed so far

Genny 2.0 inaugurates a new transportation philosophy for personal mobility. Thanks to the self-balancing technology, she unites the users under the banner of the freedom of movement, erasing the differences. People who make use of traditional wheelchairs are daily confronted with a number of issues. Moving while constantly looking down to avoid the small front wheels sinking into the frequent holes and always having both hands busy (often getting dirty) can lead to frustration. Not to mention the problem of the rain, which compels wheelchair users to get wet because of the impossibility of holding a simple umbrella. Also dealing with slippery grounds, little steps or little slopes can entail considerable risks. Genny 2.0 immediately solves all these issues.







## Advantages

Being able to hold one's own boyfriend/girlfriend's hand while strolling is a common action for those who walk but often impossible for those who use a wheelchair. Genny 2.0 allows us, thanks to its incredible mobility features, to stroll looking at the landscape with no worries about the road surface. Being able to eat an ice-cream or bringing one's own "puppy" for a walk becomes a reality today. Fantasy is, at present, the only limit to Genny's potentialities: nothing will be precluded to our mobility imagination anymore. Sport, leisure and work will never be the same again.





**More than a device  
a true lifestyle**









**Happiness**  
**is not about**  
**erected posture**



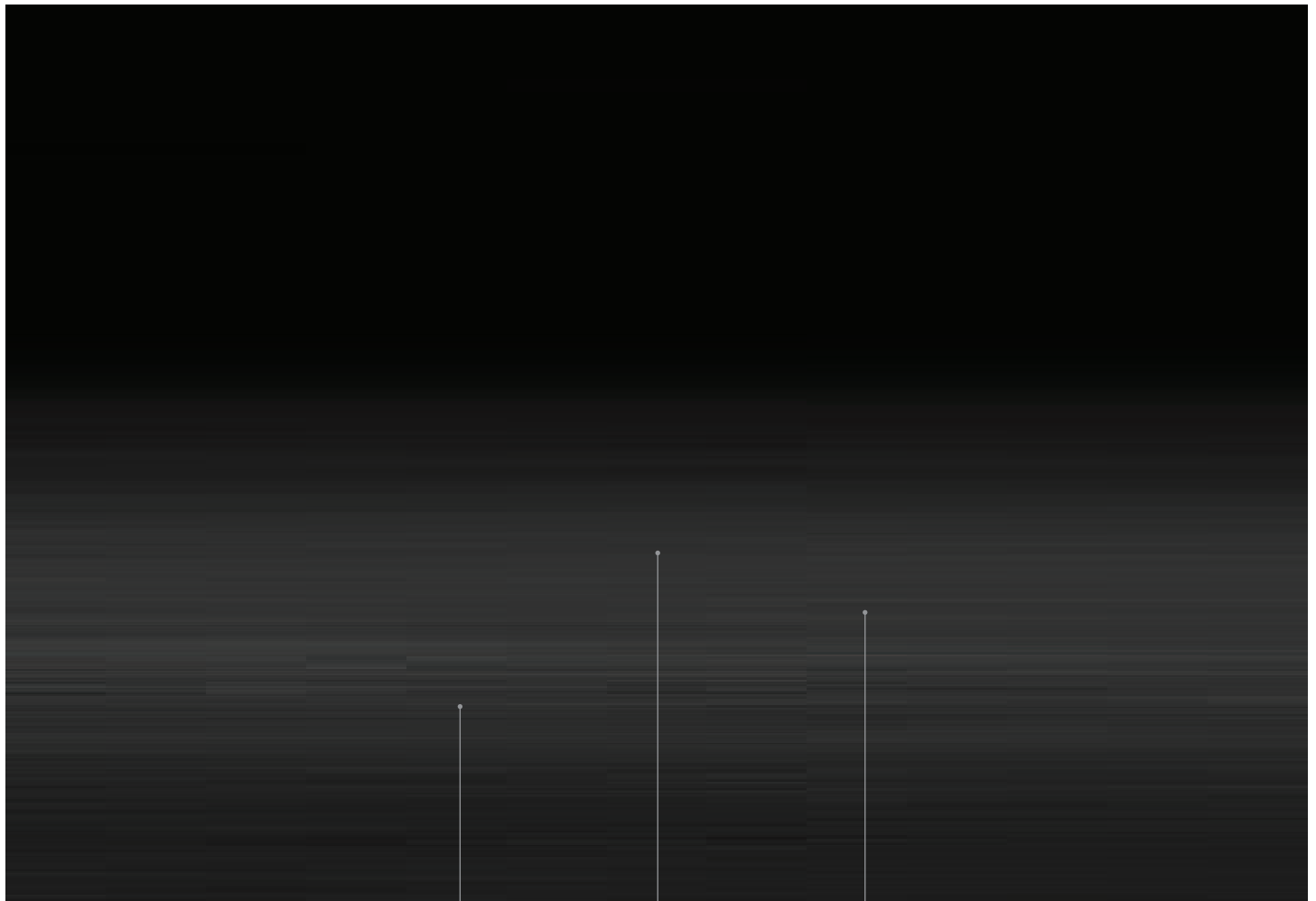






## Nothing is left to chance

To ensure safe operation in case of failure of one of the components, Genny 2.0 borrows from the world of aeronautics the concept of redundancy. This procedure provides for the doubling of the electronic and mechanical parts in order to avoid unpleasant consequences in case of failure of one of them.



2x  
Batteries

2x  
Electronic boards

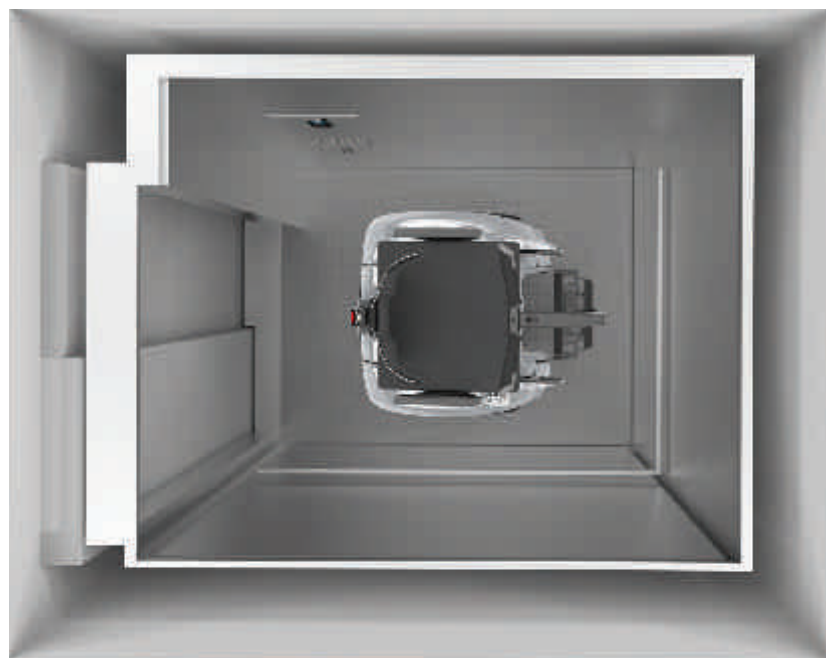
4x  
GyrosX 5



## Great innovation, reduced dimensions

### Designed also for indoor spaces

The reclining backrest and the easily extractable handlebars, removable by using only one hand, reduce Genny 2.0 to a "cube" with a side of 67cm and make it extremely compact and fit for transportation.







**Control panel**

The push-button panel enables/disables the parking control and the lights (optional).



**Infokey®**

The InfoKey® wireless controller is the mean to enable, check and communicate Genny 2.0 operations.



**Side handle**

In addition to giving support during the use and helping in transferring from another chair, side handles, when operated activate the emergency kickstand descent mechanism.



**Stationing**

Two small kickstands stabilize your Genny 2.0 in a simple and safe way. The presence detector placed under the seat makes Genny 2.0 functioning possible only if the rider is on board, avoiding accidental activations and ensuring the stability when getting off.

\* lights kit sold separately





**Front lights\***

Two headlights of polycarbonate and a waterproof cover in ABS placed on a line of six LEDs generate the beam to make sure you are seen.

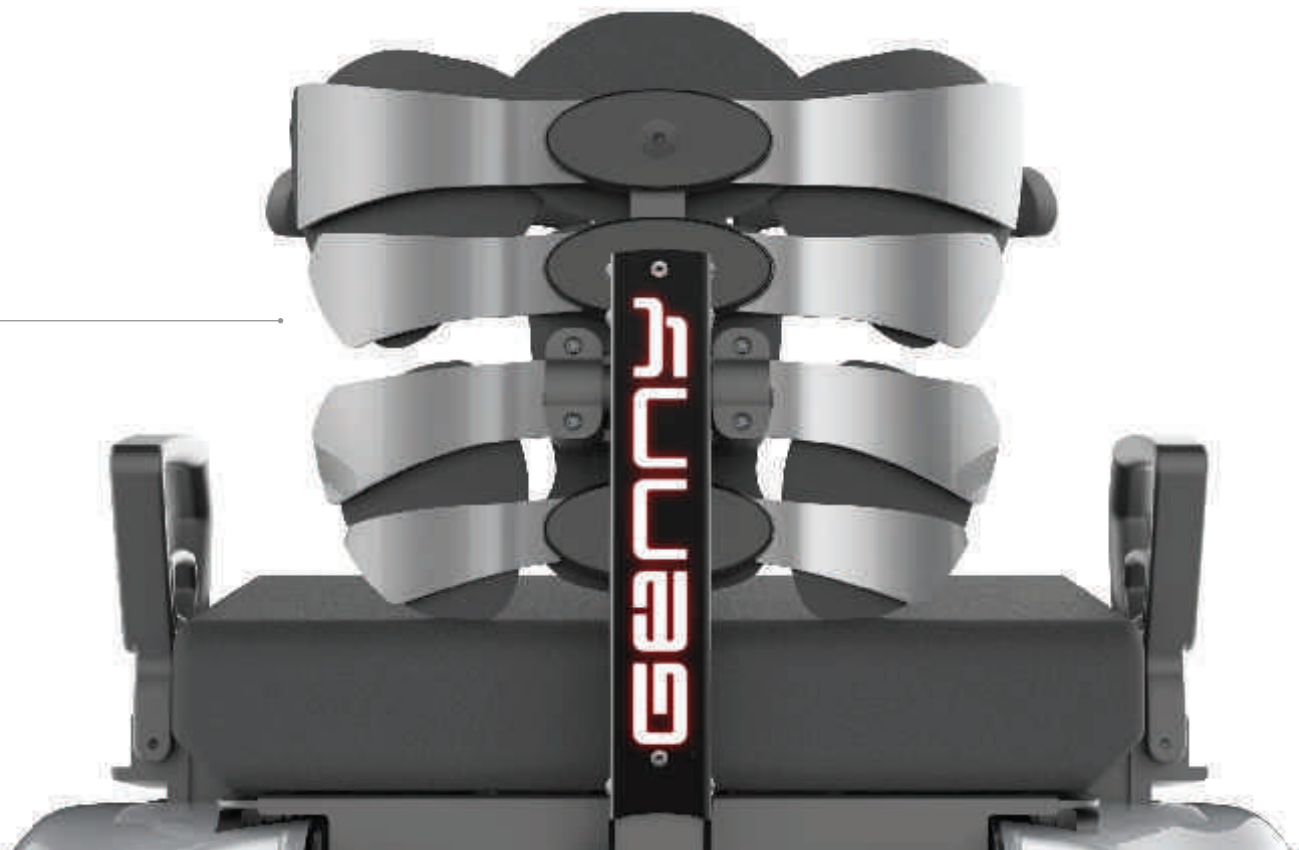


**Rear lights\***

A LED device glows a bright red light on the "Genny" logo on the backrest support.

**Tarta® backrest**

Modular, with few simple strong parts, Tarta® backrest is the answer to many aesthetic and functional needs of disabled people. Everyone can now benefit from this innovative solution.







## GENNY 2.0

**Genny 2.0** is an high-tech device that allows a large number of people with disabilities to **move safely in spaces that were formerly inaccessible to them.**

Using a self-balancing Segway® base, modified and adapted specifically to the needs of the case, it ensures agile turns on the spot and movement without the need of traditional levers such as accelerators or brakes. You lean forward, you move forward.



On 25.05.15, Genny 2.0 received the safety certification of TÜV Rheinland

### Technical details\*

Width	630 mm
Seat height	670 mm
Depth	760 mm
Height from the ground	100 mm
Weight	89,5 kg
load capacity	95 kg
Speed	6/12 Km/h
Autonomy	15 - 25 km**

Color



\* For further information go to page 18

\*\* Depending on terrain and riding style





### KIT XROAD\*

Built to expand your horizons. The new Off Road Kit will allow you to easily explore all kinds of terrain: going from snow over sand, and gravel to mud. You will no longer know limits: image a place, take Genny 2.0 and get there!

With the special XR Kit, convenience and comfort will be at your service.

In only a few minutes you can convert your Genny 2.0 Urban to Genny 2.0 Off Road and back. Versatility at any time.

### Technical details\*\*

Width	830 mm
Seat height	690 mm
Depth	760 mm
Height from the ground	120 mm
Weight	105 kg***

\* The kit includes wheelhouse, inner fenders, off road tires and rims

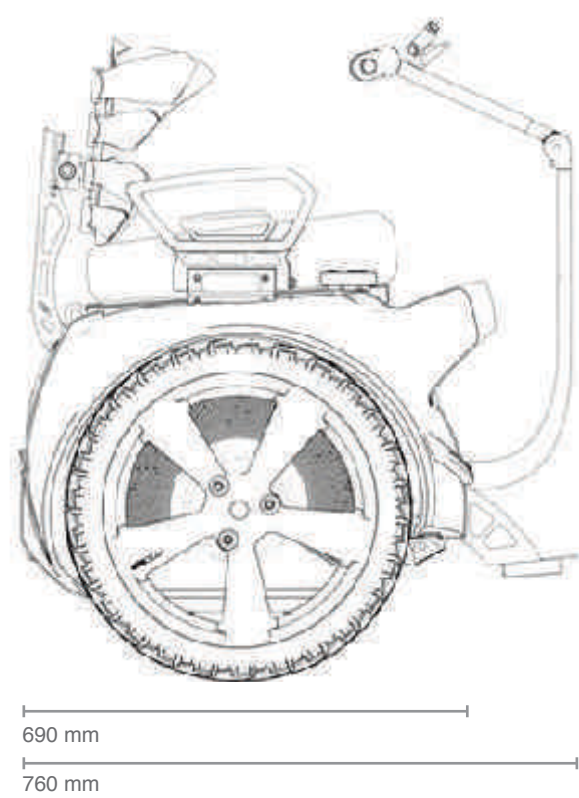
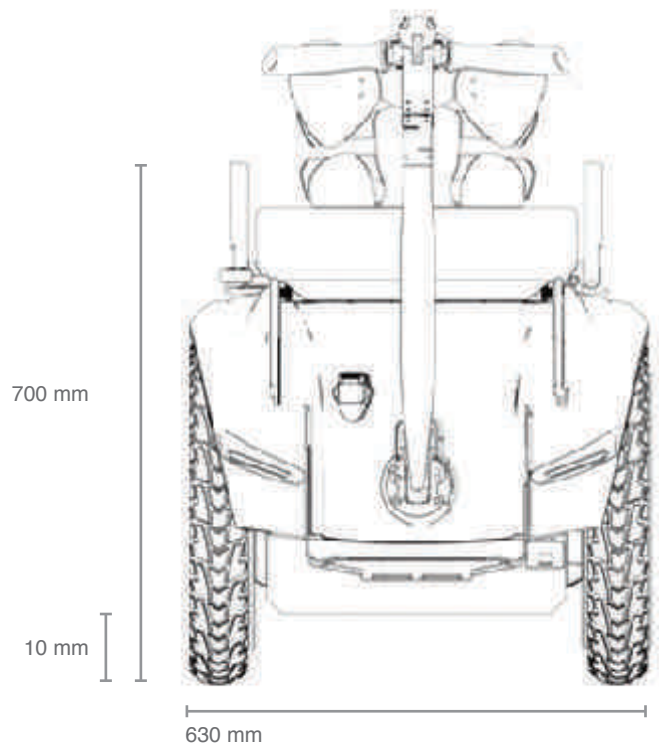
\*\* For further information go to page 19

\*\*\* Overall weight of a Genny 2.0 equipped with the kit Xroad

Color



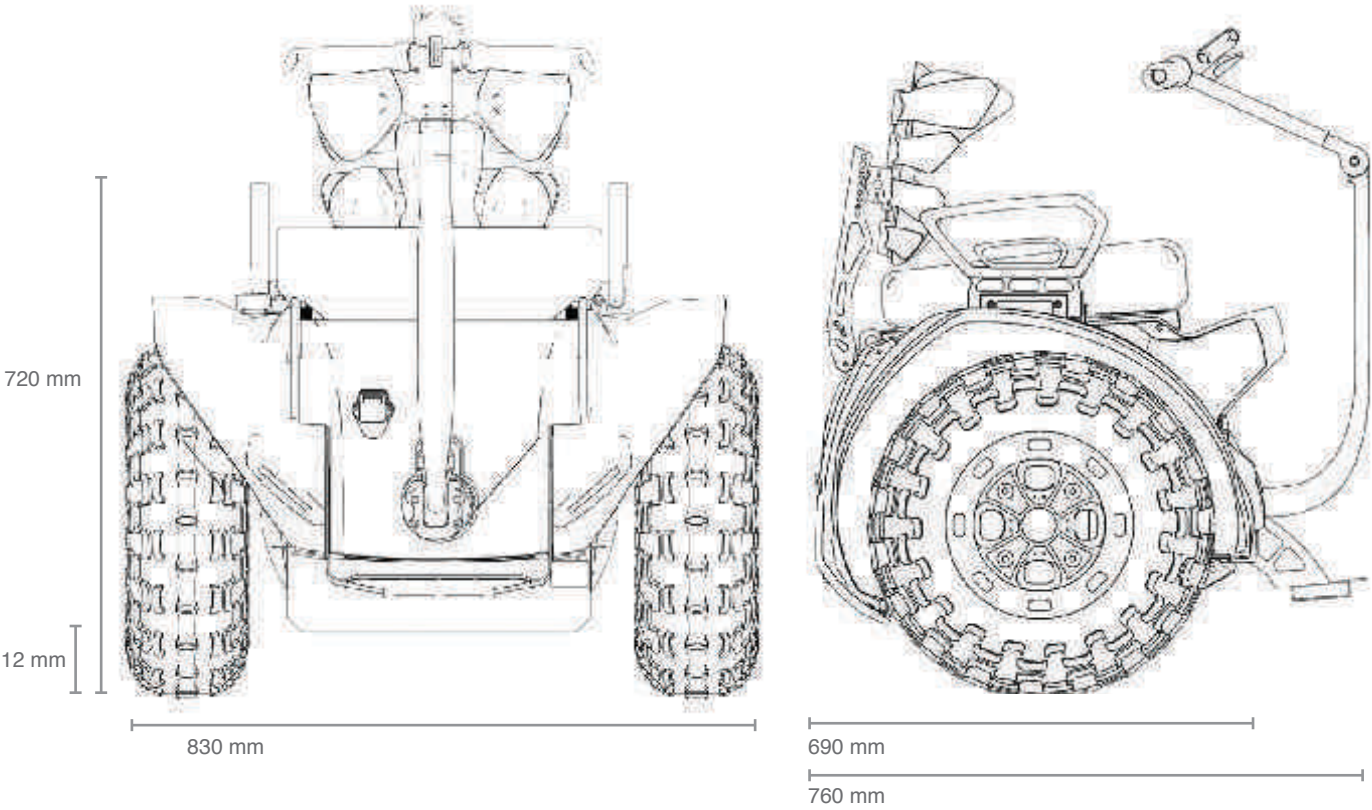




## Genny 2.0

Self-balancing Segway base	●
Tarta® backrest	●
Memory foam pillow	●
2 Infokeys®	●
Steel steering wheel	●
Improved grip tires	●
Segway® polymer wheels	●
2 lithium batteries	●
Onboard Battery charger	●
Left side pushbutton	○
Alloy rims	○
Lights Kit (Front and Rear)	○
Carbon fiber steering wheel	○





# Kit XRoad

Side fairinge	●
Off Road tires	●
Alloy rims	●
Fairing (Front and Rear)	○
Lights Kit (Front and Rear)	○

● Standard  
○ Optional



Celeris Innovación Ortoprotésica

C/ Parsi Siete nº35  
41016 SEVILLA  
Tel: 955 250 050  
info@celeriscentral.com



Italian design  
Swiss precision



Distribuido por:

**celaris**  
INNOVACIÓN ORTOPROTÉSICA  
[www.celeriscentral.com](http://www.celeriscentral.com)

All the information contained in this catalog is purely indicative of general characteristics of our products. This information are not descriptive of the specific characteristics of the manufacturer and / or seller. Therefore we invite the customer to always contact the company network in order to obtain complete information on the specific characteristics, requirements and condition of use. Modifications reserved. Errors and omissions excepted. Partial reproduction is possible only with the written permission of Genny Mobility SA.

ENG.CTC.090916